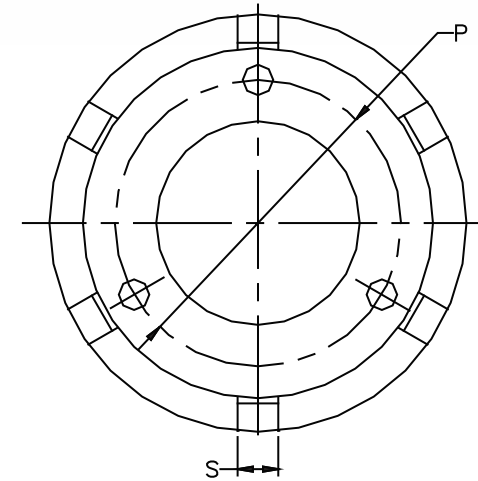
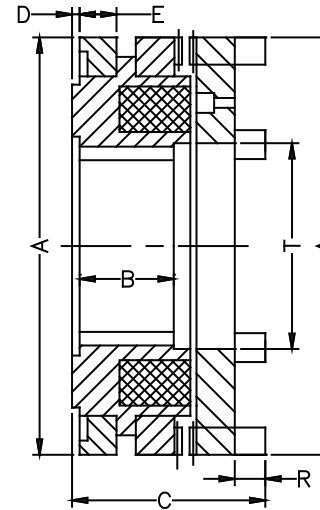
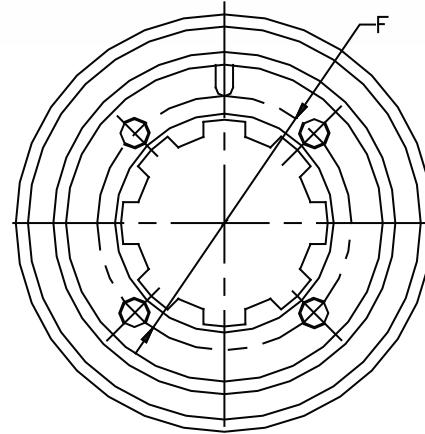
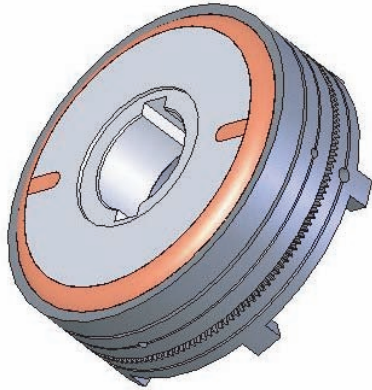


FXB SERIES

I.M. TOOTH CLUTCH



SR. NO	MODEL NO.	TORQUE IN KG-M	OVERALL DIMENSIONS					SPILNE/KEY (MM)	DRIVE END DIMENSIONS(MM)			DRIVEN END DIMENSIONS(MM)				AIR GAP (mm)	Coil Resistance at 20 C	POWER at 20 C
			A	B	C	D	E		F	HOLES	SIZE	P	R	S	T			
1	0.5FXB-25	4	70	17	27.5	1	6	25-6-1.7-1KEY	32	3	M4	45	4	7	26	0.5	48	12
2	01FXB-34	10	82	23	37	2	8	34-6-1.7-1KEY	41	3	M4	55	6	8	35	0.5	24	24
3	02FXB-36	20	95	23	38	1.5	8	A8-36-40-7	50	4	M6	65	6	8	45	0.5	21	28
4	02FXB-25	20	95	23	38	1.5	8	25-8-1.7-2KEY	50	4	M6	65	6	8	45	0.5	21	28
5	05FXB-36	35	114	28	43	1.5	10	A8-36-40-7	60	4	M6	80	7	10	53	0.7	12	48
6	05FXB-46	35	114	26	43	1.5	10	A8-46-50-9	60	4	M6	80	7	10	53	0.7	12	48
7	05FXB-30	35	114	26	43	1.5	10	30-8-1.7-1KEY	60	4	M6	80	7	10	53	0.7	12	48
8	05FXB-35	35	114	26	43	1.5	10	35-10-2.1-1KEY	60	4	M6	80	7	10	53	0.7	12	48
9	10FXB-62	60	134	29	50	2	10	A8-62-68-12	72	4	M8	100	8	10	63	0.7	10	57
10	10FXB-46	60	134	29	50	2	10	A8-46-50-9	72	4	M8	100	8	10	63	0.7	10	57
11	10FXB-40	60	134	29	50	2	10	40-12-2.1-1KEY	72	4	M8	100	8	10	63	0.7	10	57
12	10FXB-32	60	134	30.5	50	2	10	32-10-2.1-1KEY	72	4	M8	100	8	10	63	0.7	10	57
13	10FXB-65	60	134	30	50	2	10	65-18-3.1-1KEY	72	4	M8	100	8	10	63	0.7	10	57
14	20FXB-72	120	166	35	60	2	10	A10-72-78-12	92	5	M10	120	9.5	12	80	0.7	8.3	76
15	40FXB-82	220	165	38.5	68	2	10	A10-82-88-12	110	5	M10	150	12	15	89	0.7	7.1	83
16	60FXB-92	300	210	38	73	2.5	10	A10-92-98-14	120	5	M10	150	14	18	100	0.7	6	96
17	80FXB-102	400	240	42	81	2.5	10	A10-102-108-16	140	5	M12	150	14.5	20	112	0.7	5.9	100

Note : Standard voltage is 24 v dc.