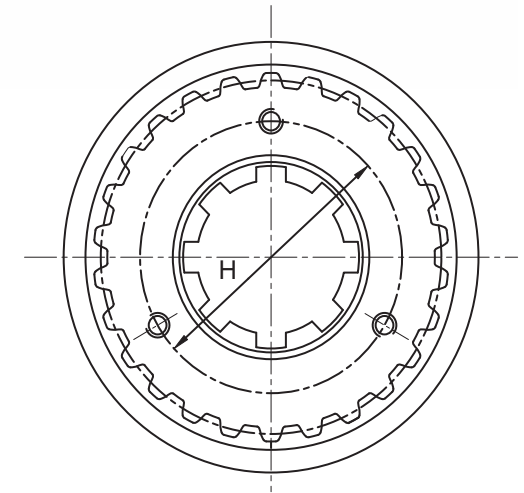
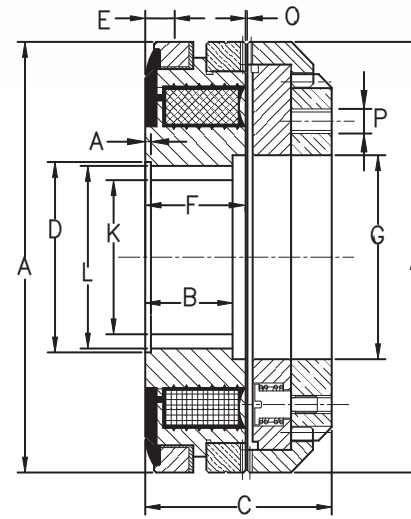
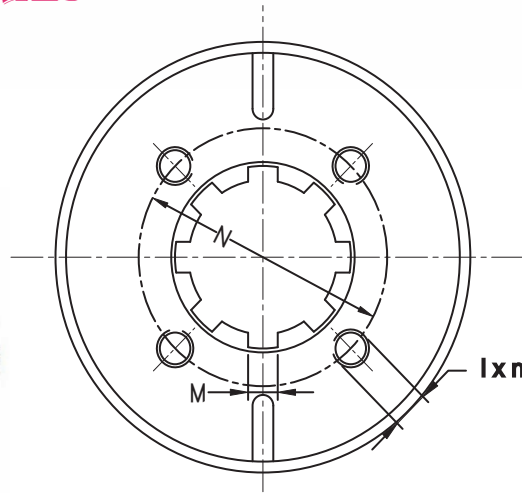
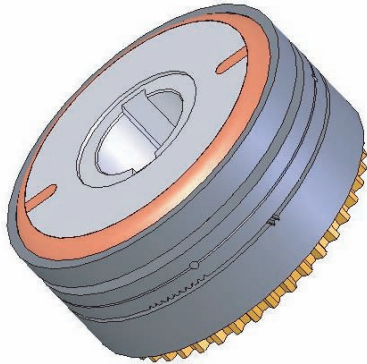


FXA SERIES

E.M. TOOTH CLUTCH



SR. NO.	MODEL NO.	TORQUE IN (kg-m)	OVERALL DIMENSIONS(MM)																COIL RESISTANCE at 25°C)	POWER at 25°C (Watt)	REMARKS
			A	B	C	D	E	F	G	H	I x n	J	K	L	M x n	N	O	P			
1	01 FXA-34	10	82	23	37	36	5.5	23	35	55	M4 3	1.5	34	36	6 3	41	0.5	M4	34	17	SPLINE
2	02 FXA-36	20	95	20	38	42	5.5	23	45	65	M6 4	1.5	36	40	7 8	50	0.7	M4	25	24	SPLINE
3	02 FXA -30	20	95	20	38	42	5.5	23	45	65	M6 4	1.5	30	2.8	6 2	50	0.7	M4	25	24	KEYWAY
4	05 FXA-46	35	114	23	43	52	6	26	53	80	M6 4	2	46	50	9 8	60	0.7	M4	14	42	SPLINE
5	10 FXA-62	60	140	26	51	70	7	30	70	100	M6 4	2	62	68	10 8	80	0.7	M5	10	56	SPLINE
6	10 FXA-52	60	134	26	51	70	7	29	70	100	M6 4	2	52	58	8 8	80	0.7	M5	10	56	SPLINE
7	10 FXA -40	60	134	26	51	70	7	29	70	100	M6 4	2	40	2.1	12 1	80	0.7	M5	10	56	KEYWAY
8	10 FXA -32	60	134	26	51	70	7	30.5	70	100	M6 4	2	32	2.1	10 2	80	0.7	M5	10	56	KEYWAY
9	10 FXA -65	60	134	26	51	70	7	30	70	100	M6 4	2	65	2.1	18 1	80	0.7	M5	10	56	KEYWAY
10	20 FXA -72	120	166	30	60	80	7	35	80	120	M10 5	2.5	72	78	12 10	92	0.7	M6	8.3	69	SPLINE
11	40 FXA-82	220	195	33.5	68	90	7	38.5	89	150	M10 5	3	82	88	14 10	110	0.7	M6	7.4	77	SPLINE
12	60 FXA-92	300	210	35	73	100	8.5	38	100	150	M10 5	3	92	98	16 10	120	0.7	M6	6.6	87	SPLINE
13	80 FXA-102	400	240	42	81	110.5	8.5	42	112	150	M12 5	3	102	108	16 10	140	0.7	M6	5.9	100	SPLINE

NOTE : STANDARD VOLTAGE IS 24 VDC, 120 FXA & 160 FXA ARE AVAILABLE ON REQUEST