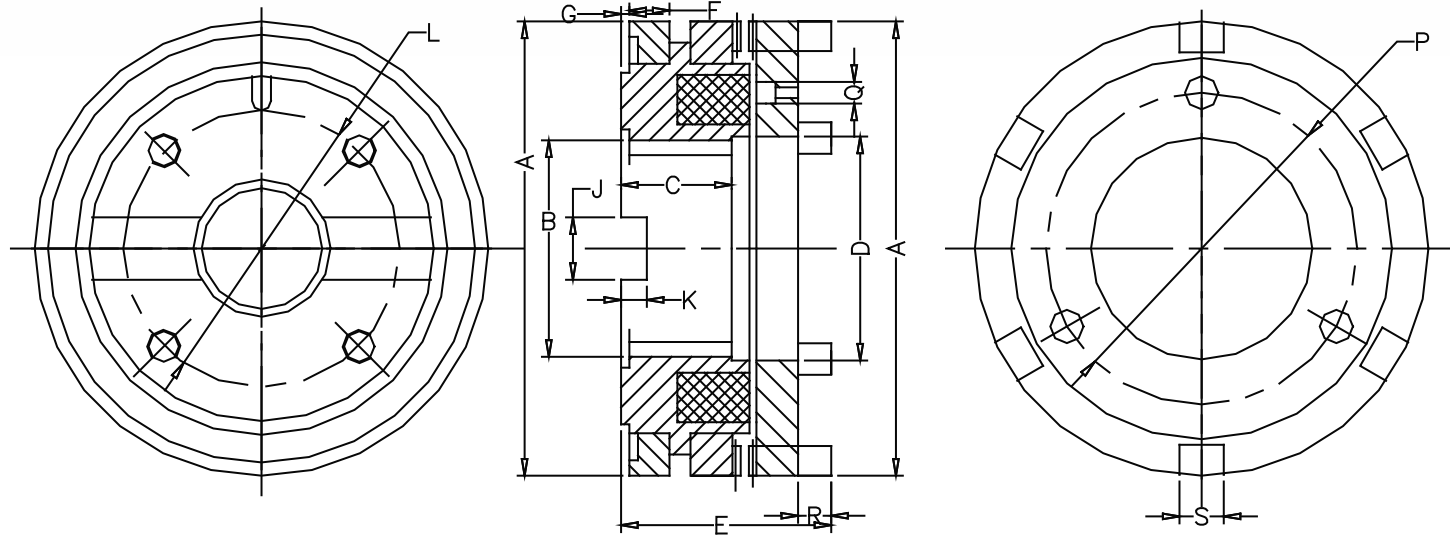
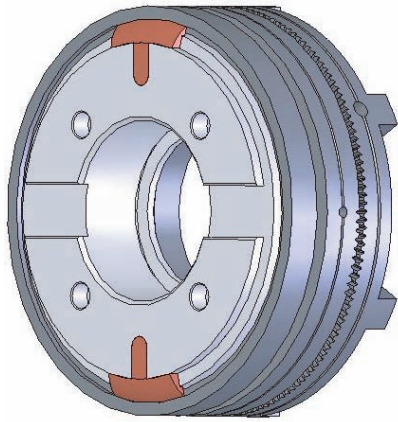


EXB SERIES

E.M. TOOTH CLUTCH



SR NO.	MODEL NO.	TORQUE IN (kg-m)	OVERALL DIMENSIONS (MM)							DRIVE END DIMENSIONS(mm)				DRIVE END DIMENSIONS(mm)				AIR GAP (mm)	COIL RESISTANCE at 25°C Ω (ohms)	POWER CONSUMP. at 25°C (WATTS)	VOLTAGE (VOLTS)
			A	B	C	D	E	F	G	J	K	L	SIZE OF HOLES	P	Q	R	S				
1	01EXB	10	82	35	20	35	39	8	3.5	41	2.5	50	M5	55	9	6	8	0.5	34	17	24 v
2	02EXB	20	95	42	20	45	40	10	3	50	2.5	56	M6	65	9	6	8	0.7	24	24	
3	05EXB	35	114	55	22	53	47	10	3	60	5	75	M8	80	9	6	8	0.7	14	42	
4	10EXB	60	140	68	22	70	54	10	6	80	5	90	M8	100	12	10	10	0.7	12	49	
5	20EXB	120	166	75	25	80	60	10	8	92	6	100	M10	120	12	12	12	0.7	8.3	69	
6	40EXB	220	195	110	28	110	67	10	8	110	6	125	M10	150	15	15	15	0.7	7.4	77	

NOTE : ALSO AVAILABLE 60EXB, 80EXB & 120 EXB ON REQUEST.