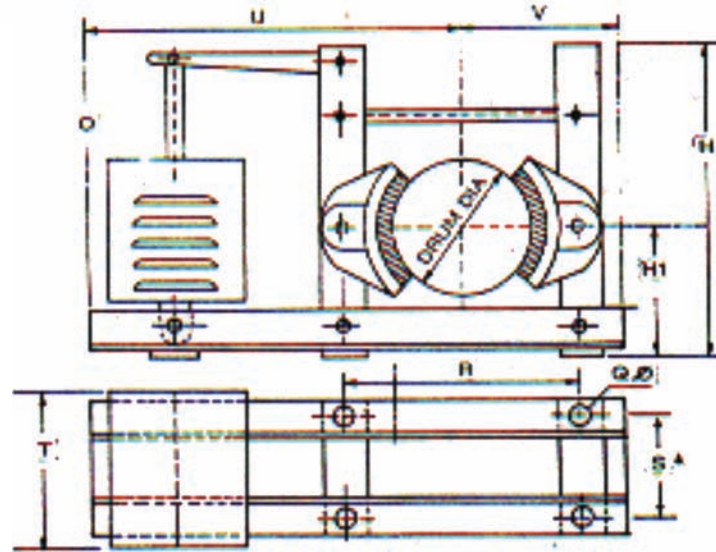
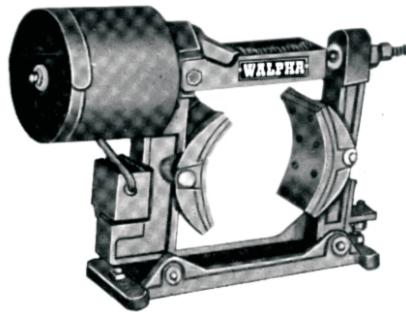


MDCFSB SERIES

DC FAIL SAFE BRAKE SHOE TYPE



MODEL	TORQUE KG.M	VOLTAGE V. AC	DRUM Φ A	SHOE WIDTH	H	H1	Q Φ	R	S	T	U	V
MACFSB 2 - ST	2	415	100	58	270	130	10	230	60	140	255	145
MACFSB 6 - ST	6	415	150	70	300	150	14	310	50	145	285	175
MACFSB 13 - ST	13.0	415	200	90	375	170	14	370	60	195	370	215
MACFSB 20 - ST	20.0	415	250	115	430	200	14	440	70	230	450	245
MACFSB 35 - ST	35.0	415	300	127	515	240	18	530	80	230	470	285
MACFSB 75 - ST	75	415	400	140	675	320	18	640	100	280	700	250

MODEL 'MACFSB - ST' DENOTES BRAKE COIL VOLTAGE 415 VAC, 2 PHASE
 MODEL 'MACFSB - SP' DENOTES BRAKE COIL VOLTAGE 415 VAC, 3 PHASE