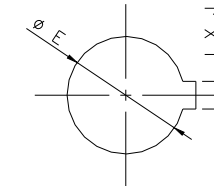
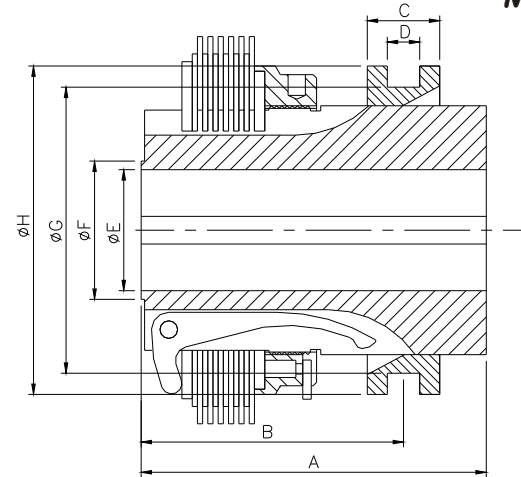


WMCS-00-00-000 SERIES

MECHANICAL MULTI-PLATE SINGLE CLUTCH



SR. NO.	MODEL	TORQUE IN (Nm)	ENGAGEMENT FORCE (N)	OVERALL DIMENSIONS(MM)									
				A	B	C	D	E	F	G	H	I X J	WEIGHT
1	WMCS-00-00-02	20	100	55	36	18	10	15	25	45	55	5X2.3	0.9
2	WMCS-00-00-04	40	120	81	58	24	10	22	35	60	75	6X2.8	2.5
3	WMCS-00-00-08	80	180	81	58	24	10	32	45	70	85	10X3.3	3.6
4	WMCS-00-00-16	160	250	95	67	32	15	45	55	85	100	14X3.8	6.2
5	WMCS-00-00-20	200	250	95	67	32	15	45	55	85	100	14X3.8	6.6
6	WMCS-00-00-32	320	300	105	73	32	15	48	65	85	100	14X3.8	8.4
7	WMCS-00-00-45	450	300	145	101	50	26	60	75	120	140	18X4.4	18
8	WMCS-00-00-64	640	350	145	101	50	26	68	80	120	140	20X4.9	22.5
9	WMCS-00-00-90	900	400	175	128	50	26	70	80	120	140	20X4.9	28.5
10	WMCS-00-00-140	1400	700	205	148	55	26	80	100	145	170	22X5.4	48

NOTE: 1. FRICTION COMBINATION : STANDARD VERSION STEEL/STEEL FOR WET RUNNING. ON REQUEST STEEL /SINTERED LINING FOR WET OR DRY RUNNING OR STEEL/FRICTION LINING FOR DRY RUNNING ONLY.

2. CLUTCHES COMES WITH 5 TYPES OF HOUSING :- 1.CH-CV, 2CH-OV, 3 HH-CV, 4HH-OV, 5 FH-CV, DETAIL CAN BE PROVIDED ON REQUEST.