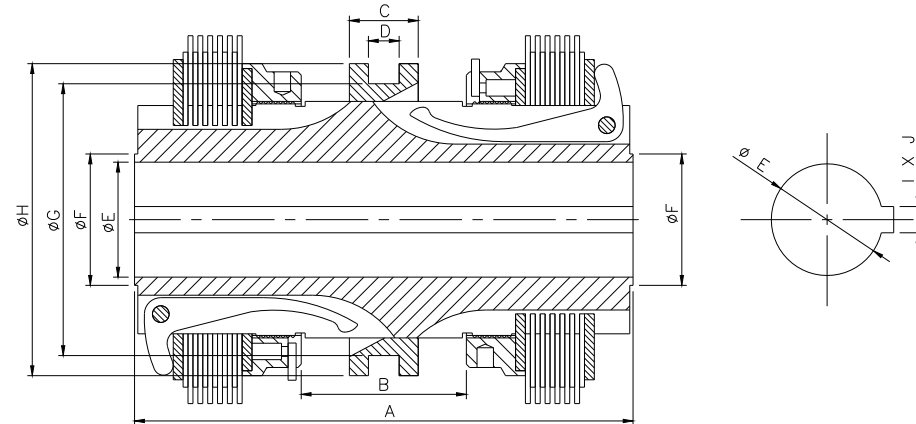
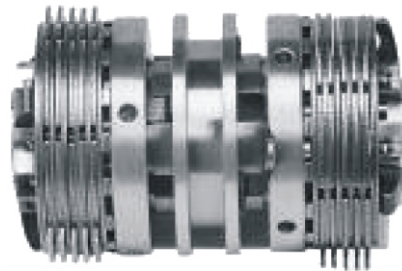


WMCD-00-00-000 SERIES

MECHANICAL MULTI-PLATE DOUBLE CLUTCH



| SR. NO. | MODEL | TORQUE IN (Nm) | ENGAGEMENT FORCE (N) | OVERALL DIMENSIONS(MM) | | | | | | | | | | |
|---------|----------------|----------------|----------------------|------------------------|---------|-------|----|----|----|-----|-----|-------|--------|------|
| | | | | A | B | C | D | E | F | G | H | I X J | WEIGHT | |
| 1 | WMCD-00-00-02 | 20 | 100 | 90 | '' | 36 | 18 | 10 | 15 | 25 | 45 | 55 | 5X2.3 | 1.7 |
| 2 | WMCD-00-00-04 | 40 | 120 | 137 | '' | 49 | 24 | 10 | 22 | 35 | 60 | 75 | 6X2.8 | 4.3 |
| 3 | WMCD-00-00-08 | 80 | 180 | 137 | '' | 49 | 24 | 10 | 32 | 45 | 70 | 85 | 10X3.3 | 6.3 |
| 4 | WMCD-00-00-16 | 160 | 250 | 158 | '' | 59 | 32 | 15 | 45 | 55 | 85 | 100 | 14X3.8 | 10.7 |
| 5 | WMCD-00-00-20 | 200 | 250 | 158 | '' | 59 | 32 | 15 | 45 | 55 | 85 | 100 | 14X3.8 | 11.8 |
| 6 | WMCD-00-00-32 | 320 | 300 | 178 ² | 105+73 | 68 | 32 | 15 | 48 | 65 | 85 | 100 | 14X3.8 | 14.9 |
| 7 | WMCD-00-00-45 | 450 | 300 | 238 | '' | 90 | 50 | 26 | 60 | 75 | 120 | 140 | 18X4.4 | 31.5 |
| 8 | WMCD-00-00-64 | 640 | 350 | 245 ² | 145+100 | 99 | 50 | 26 | 68 | 80 | 120 | 140 | 20X4.9 | 41 |
| 9 | WMCD-00-00-90 | 900 | 400 | 300 ² | 175+125 | 112 | 50 | 26 | 70 | 80 | 120 | 140 | 20X4.9 | 52 |
| 10 | WMCD-00-00-140 | 1400 | 700 | 355 ² | 205+150 | 132.5 | 55 | 26 | 80 | 100 | 145 | 170 | 22X5.4 | 89 |

NOTE: 1. FRICTION COMBINATION : STANDARD VERSION STEEL/STEEL FOR WET RUNNING. ON REQUEST STEEL /SINTERED LINING FOR WET OR DRY RUNNING OR STEEL/FRICTION LINING FOR DRY RUNNING ONLY.

2. CLUTCHES COMES WITH 5 TYPES OF HOUSING :- 1.CH-CV, 2CH-OV, 3 HH-CV, 4HH-OV, 5 FH-CV, DETAIL CAN BE PROVIDED ON REQUEST.