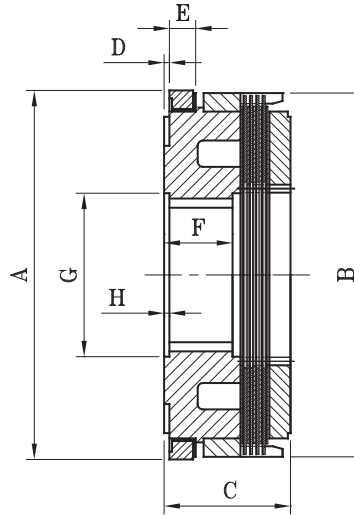
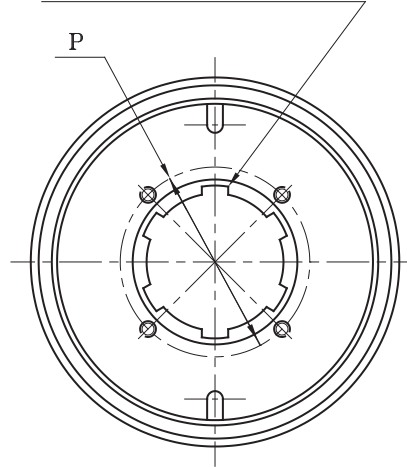
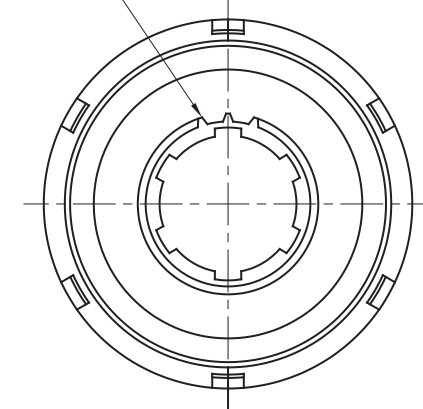


SPLINE DETAILS REF. TABLE



GEAR DETAILS REF. CHART



SR. NO.	MODEL NO.	TORQUE IN (kg-m)		OVERALL DIMENSIONS(MM)								SPLINE DIMENSIONS H7	FIXING DIMENSIONS			GEAR DATA			NO. OF PLATE			COIL RESISTANCE at 20°C()	POWER at 20°C (Watt)
		STATIC	DYNAMIC	A	B	C	D	E	F	G	H		P	NO.OF HOLES	SIZE	NO. OF TEETH	MOD	P/A	I	O	A/G		
1	02BZA	5	2	95	93	36	1.5	8	20	42	1.5	40X X36 X 7-8	50	4	M6	27	1.5	20	4	4	1.2	34	17
2	02BZH	3.6	2	92	90	32	1.5	8	18	37	1.5	36 X 32 X 6-8	45	4	M6	22	1.5	20	4	4	1.8	45	13
3	05BZA	10	5.5	114	114	45.5	1.5	10	23	52	2	50 X 46 X 9-8	60	4	M6	27	1.75	20	5	5	1.8	25	28
4	10BZA	20	10	134	140	52	2	10	26	60	2	58 X 52 X 10-8	72	4	M8	28	2	20	5	5	2	16	36
5	20BZA	40	20	166	166	58.5	1.5	10	30	80	2.5	78 X 72 X 12-10	92	5	M10	27	2.5	20	5	5	2.5	11	51
6	20BZD	36	20	166	166	58.5	1.5	10	27	81	2.5	∅55X 2 KEY X 16	95	5	M10	33	2.5	20	6	6	3	13	46
7	20BZH	40	20	152	152	54	2	10	25	60	2.5	58 X 52 X 12-8	75	4	M10	21	2.5	20	5	5	2.5	14	43
8	EK20E	36	20	166	166	58.5	1.5	10	27	81	2.5	78 X 72 X 12-10	95	5	M10	33	2.5	20	6	6	3	13	46
9	40BZA	80	40	195	195	68.5	2	10	33.5	90	3	88 X 82 X 12-10	110	5	M10	33	2.5	20	6	6	3.5	7.1	83
10	40BZB	80	40	195	195	67	2	10	31	80	3	78 X 72 X 12-10	105	4	M10	25	2.5	20	6	6	4	7.3	79
11	60BZA	110	60	210	210	73.5	2	10	35	100	3	98 X 92 X 14-10	120	5	M10	36	2.5	20	6	6	4	6.3	91

NOTE: STANDARD VOLTAGE IS 24 V DC. 80 & 120 BZA ARE AVAILABLE ON REQUEST