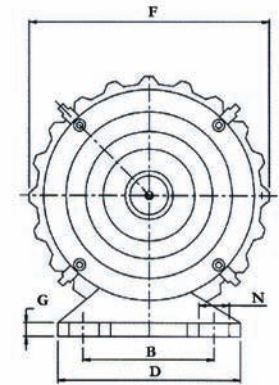
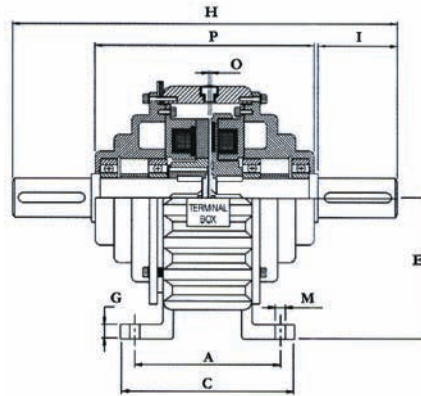




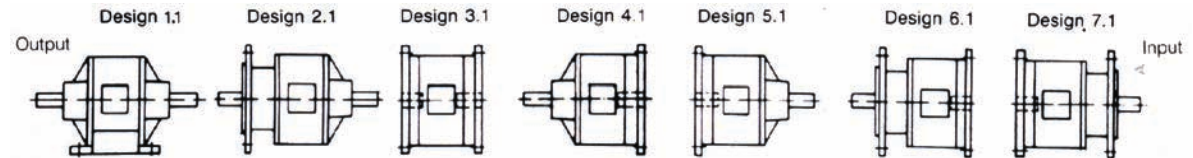
MSDCB SERIES

CLUTCH BRAKE COMBINATION CLOSE TYPE



FLANGE MOUNTED CONFIGURATIONS AVAILABLE.

DIMENSIONAL DETAILS AVAILABLE ON REQUEST



SR. NO.	MODEL NO.	TORQUE IN (Nm)		RPM		OVERALL DIMENSIONS(MM)														POWER at 20 ^o c (Watt)	
		DYN.	MAX.	A	B	C	D	E	F	G	H	I	J	K	L	M	N	O	CL	BR	
1	MSDCB-0.7	6	8000	80	90	100	110	63	104	6	175	23	11	M4X10	4	6.5	13.5	0.2	15	11	
2	MSDCB-1.5	12	6000	95	105	112	127	71	132	8	210	30	14	M5X12	5	7	13.5	0.2	20	15	
3	MSDCB-3	25	5000	100	140	130	170	90	167	8	272	50	24	M6X20	8	10	15	0.3	28	20	
4	MSDCB-6	50	4000	130	150	157	181	100	187	8	320	60	28	M8X25	8	12	20	0.3	35	25	
5	MSDCB-12	100	3000	160	175	188	218	132	227	15	383	80	38	M8X25	10	14	24	0.3	50	35	
6	MSDCB-20	200	3000	165	230	200	280	160	280	16	410	80	42	M10X30	12	20	25	0.5	68	45	

IMPORTANT : 1 Nm=0.102Kgm=0.37lbf, STANDARD VOLTAGEES : 24 V DC. OTHER VOLTAGES ON REQUEST
 KEYWAYS TO INDIAN STANDARDS, WHEREVER POSSIBLE OTHERWISE TO DIN STANDARD.
 TECHNICAL ALTRATIONS RESERVED
 ALL DIMENSIONS ARE IN 'MM' ONLY.